

Owner's Guide

Manuel d'utilisation

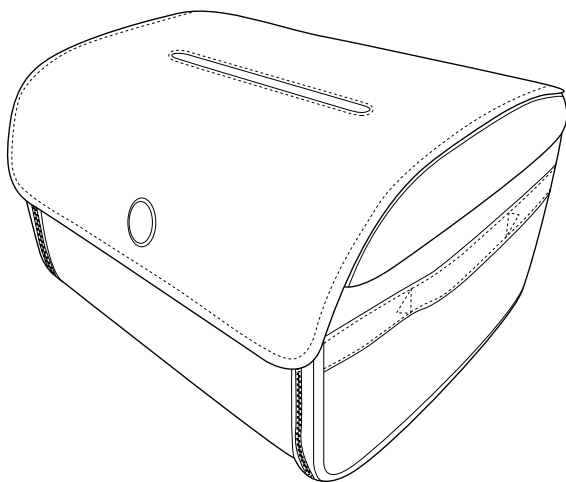
Manual del propietario

**munchkin** | 59S™

Nursery Sterilizer

Stérilisateur pour articles d'enfant

Esterilizador de artículos infantiles



---

KEEP FOR FUTURE REFERENCE

Please read the instructions carefully before using this product.

CONSERVER POUR RÉFÉRENCE FUTURE

Veuillez lire attentivement les instructions avant d'utiliser ce produit.

GUARDAR PARA CONSULTAS FUTURAS

Leer atentamente estas instrucciones antes de utilizar el producto.

CCD-000-270-000 REV 1

**🕒 IMPORTANT SAFEGUARDS**

Introduction ..... 6  
 Common Germs Eliminated ..... 7

**⚙️ INCLUDED PARTS**

Safety Feature ..... 10  
 Using UV Test Paper ..... 10  
 Using the USB Power Bank ..... 11  
 Indicator Light Chart ..... 12

**👉 HOW TO USE**

Maintenance And Cleaning ..... 15  
 Technical Specifications ..... 15  
 Troubleshooting Guidelines ..... 15  
 One-Year Limited Warranty ..... 15

**💬 CUSTOMER SERVICE**

Contact Us ..... 16

**🕒 PRÉCAUTIONS IMPORTANTES**

Introduction ..... 20  
 Bactéries courants éliminées ..... 21

**⚙️ PIÈCES INCLUSES**

Dispositif de sécurité ..... 24  
 Utiliser le papier de test UV ..... 24  
 Utiliser le chargeur portatif USB ..... 25  
 Guide du témoin lumineux ..... 26

**👉 MODE D'EMPLOI**

Entretien et nettoyage ..... 29  
 Spécifications techniques ..... 29  
 Conseils de dépannage ..... 29  
 Garantie limitée d'un an ..... 29

**💬 SERVICE À LA CLIENTÈLE**

Contactez-nous ..... 30

**🕒 INFORMACIÓN IMPORTANTE**

Presentación .....	34
Gérmenes habituales eliminados .....	35

**⚙️ PIEZAS INCLUIDAS**

Dispositivo de seguridad .....	38
Uso de papel de prueba UV .....	38
Uso del cargador USB .....	39
Guía del indicador luminoso .....	40

**👉 INSTRUCCIONES DE USO**

Mantenimiento y limpieza .....	43
Especificaciones técnicas .....	43
Resolución de problemas .....	43
Garantía limitada de un año .....	43

**💬 SERVICIO DE ATENCIÓN AL CLIENTE**

Contacto .....	44
----------------	----

# IMPORTANT SAFEGUARDS

When using electrical products, especially when children are present, basic safety precautions should always be followed, including the following:

## READ ALL INSTRUCTIONS BEFORE USING THE NURSERY STERILIZER

 **DANGER:** To reduce the risk of electrocution:

- Always unplug this product immediately after using.
- Do not use while bathing.
- Do not place or store product where it can fall or be pulled into a tub or sink.
- Do not place in or drop into water or other liquid.
- Do not reach for a product that has fallen into water. Unplug immediately.

 **WARNING:** To reduce the risk of burns, electrocution, fire, or injury to persons:

- Eye damage may result from directly viewing the light produced by the lamp in this apparatus. Always turn off LED before opening protective cover.
- UV LED radiation can cause serious skin burn and eye injury.
- UV light exposure may degrade plastic, fabric and rubber over time.
- Do not look directly at UV light while in operation.
- Never use this device on pets and food.
- Do not tamper the lid interlocks to prevent UV exposure.
- Nursery Sterilizer should never be left unattended when plugged in.
- Close supervision is necessary when this product is used by, on, or near children or disabled people.
- Use Nursery Sterilizer only for its intended use as described in this manual. Do not use attachments not recommended by Munchkin.
- Never operate this product if it has a damaged USB cord or plug, if it is not working properly, if it has been dropped or damaged, or dropped into water. Return the product to Munchkin service center for examination and repair.
- Keep the cord away from heated surfaces.
- Never use while sleeping or drowsy.
- Never drop or insert any object into opening
- This product is for household use only.

**⚠ WARNING:** To reduce the risk of fire, electric shock, or injury:

- Do not leave appliance when plugged in. Unplug from power source when not in use and before servicing.
- Do not allow to be used as a toy. Close attention is necessary when used by or near children.
- Use only as described in this manual. Use only Munchkin's recommended attachments.
- Do not use with damaged cord or plug. If appliance is not working as it should, has been dropped, damaged, left outdoors, or dropped into water, return it to Munchkin.
- Do not pull or carry by cord, use cord as handle, close a door on cord, or pull cord around sharp edges or corners. Do not run appliances over cord. Keep cord away from heated surface.
- Do not unplug by pulling on cord. To unplug, grasp the plug, not the cord.
- Do not handle plug or appliance with wet hands.
- Turn off all controls before unplugging.
- Have servicing performed by a qualified repair person using only identical replacement parts. This will ensure that the safety of the product is maintained.
- This appliance can be used by children aged from 8 years and above and persons with reduced physical, sensory or mental capabilities or lack of experience and knowledge if they have been given supervision or instruction concerning use of the appliance in a safe way and understand the hazards involved. Children shall not play with the appliance. Cleaning and user maintenance shall not be made by children without supervision.
- The appliance is only to be used with the USB cord provided with the appliance.
- It must be supplied at safety extra low voltage corresponding to the marking on the appliance.
- **DECLARATION OF CONFORMITY THE APPLICABLE PROVISIONS OF APPLICABLE US FEDERAL REQUIREMENTS, INCLUDING 21 CFR, CHAPTER 1, SUBCHAPTER J, RADIOLOGICAL HEALTH.**

**⚠ WARNING:** Do not disable interlock on device cover. it is designed to reduce UV exposure risk. Caution: UV emitted from this product.

**SAVE THESE INSTRUCTIONS**

## FCC WARNING

The device complies with part 15 of the FCC Rules. Operation is subject to the following two conditions: (1) This device may not cause harmful interference, and (2) This device must accept any interference received, including interference that may cause undesired operation.

**⚠ WARNING:** Changes or modifications to this unit not expressly approved by the party responsible for compliance could void the user's authority to operate the equipment.

**NOTE:** This equipment has been tested and found to comply with the limits for a Class B digital device, pursuant to part 15 of the FCC Rules. These limits are designed to provide reasonable protection against harmful interference in a residential installation. This equipment generates, uses and can radiate radio frequency energy and if not installed and used in accordance with the instructions, may cause harmful interference to radio communications. However, there is no guarantee that interference will not occur in a particular installation. If this equipment does cause harmful interference to radio or television reception, which can be determined by turning the equipment off and on, the user is encouraged to try to connect the interference by one or more of the following measures:

- Reorient or relocate the receiving antenna.
- Increase the separation between the equipment and receiver.
- Connect the equipment into an outlet on a circuit different from that to which the receiver is connected.
- Consult the dealer or an experienced radio/TV technician for help.

This CLASS(B) DIGITAL APPARATUS complies with CANADIAN ICES-3 (B)/NMB-3(B)

## INTRODUCTION

The Nursery Sterilizer lets you disinfect your baby's toys and other small items quickly and easily. This device is convenient and also portable, powered by a USB power bank (included), so you can protect your child's health both at home and while you travel.

Sterilizing takes 5 minutes (300 seconds), and it kills harmful germs and reduces odors.

The device uses scientifically proven ultraviolet (UV) technology that kills up to 99% of harmful bacteria and viruses. UV has been used successfully in the healthcare industry for air and surface disinfection. It's ozone-free and leaves no dangerous residue or harmful chemicals.

The Nursery Sterilizer is also safe to use. If the cover is opened during use, the built-in Safety Protection switch will turn off the UV light automatically.

## COMMON GERMS ELIMINATED

ORGANISM (BACTERIA/VIRUS)	% KILL RATE UP TO	RELATED DISEASES AND SYMPTOMS
<b>Escherichia coli</b> (ATCC 8739)	99.9%	Diarrhea, abdominal cramping, pain or tenderness, nausea, vomiting
<b>Pseudomonas aeruginosa</b> (ATCC 9027)	99.9%	Ear infection, eye infection, pneumonia, skin rashes
<b>Staphylococcus aureus</b> (ATCC 6538)	99.9%	Pneumonia, endocarditis, osteomyelitis, impetigo, cellulitis, staph scalded skin syndrome, diarrhea, dehydration, nausea, vomiting
<b>Cronobacter spp.</b> (Cronobacter sakazakii) (ATCC 29544)	99.9%	Sepsis, severe meningitis, urinary tract infection
<b>Salmonella typhimurium</b> (ATCC 14028)	99.9%	Diarrhea, fever, abdominal cramps, possible death
<b>Klebsiella pneumoniae</b> [ATCC 4352]	99.9%	Pneumonia, bloodstream infections, wound or surgical site infections, and meningitis
<b>Respiratory syncytial virus</b> (RSV), (ATCC VR-26)	99%	RSV is the most common cause of bronchiolitis (inflammation of the small airways in the lung) and pneumonia (infection of the lungs) in children younger than 1 year of age in the United States. It is also a significant cause of respiratory illness in older adults. Infection symptoms include runny nose, decrease in appetite, cough, sneeze, fever, wheeze, breathing difficulties
<b>Influenza A H1N1</b> (VR 1469)	99%	Onjunctivitis, influenza-like illness (e.g., fever, cough, sore throat, muscle aches) sometimes accompanied by nausea, abdominal pain, diarrhea, and vomiting, severe respiratory illness (e.g., shortness of breath, difficulty breathing, pneumonia, acute respiratory distress, viral pneumonia, respiratory failure), neurologic changes (altered mental status, seizures), and the involvement of other organ systems
<b>Rhinovirus Type 37</b> (ATCC VR-1147)	99%	Common cold that cause sore throats, ear infections, and infections of the sinuses (openings in the bone near the nose and eyes) and runny nose, pneumonia and bronchiolitis

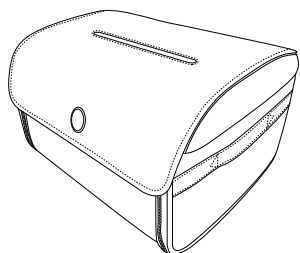
## BATTERY WARNING

In exceptional circumstances, batteries may leak fluids that can cause a chemical burn injury or ruin your product. To avoid battery leakage, follow the instruction below.

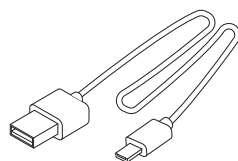
- Insert power bank in correct polarity position.
- Do not short circuit power bank terminals.
- Remove power bank during long periods of non-use.
- Do not put fingers or hand into the power bank.
- Do not expose power bank to rain or snow.
- Do not submerge power bank in water or other liquids.
- Use of a power supply or charger not recommended or sold by power pack manufacturer may result in a risk of injury to persons.
- Only power bank of the same or equivalent type as recommended are to be used.
- Do not use the power bank in excess of its output rating. Overload outputs above rating may result in a risk of fire or injury to persons.
- Do not use the power bank that is damaged or modified. Damaged or modified batteries may exhibit unpredictable behavior resulting in fire, explosion or risk of injury.
- Do not disassemble the power bank. Take it to a qualified service person when service or repair is required. Incorrect reassembly may result in a risk of fire or injury to persons.
- Do not expose a power bank to fire or excessive temperature. Exposure to fire or temperature above 100°C (212°F) may cause explosion.
- Do not dispose of this product in a fire. The power bank inside may explode or leak.
- Have servicing performed by a qualified repair person using only identical replacement parts. This will ensure that the safety of the product is maintained.



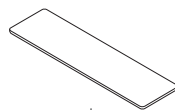
## INCLUDED PARTS



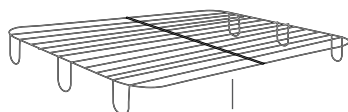
Sterilizer unit



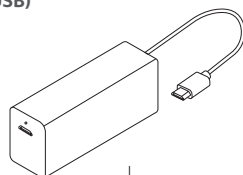
USB cable for charging  
USB power bank  
(USB-A to micro-USB)



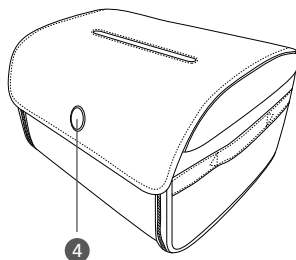
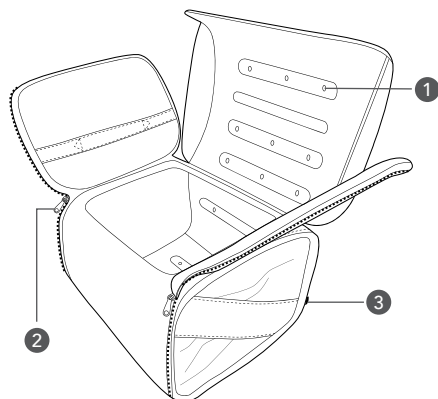
UV test paper



Nursery platform



USB power bank  
Battery model: PB2000  
(Rechargeable battery)



1 UV LEDs

2 Zipper closures indicator

3 Micro-USB port

4 Indicator light / power button

## SAFETY FEATURE

If cover is opened during use, UV light will automatically turn off to protect skin and eyes from UV exposure.

## USING UV TEST PAPER

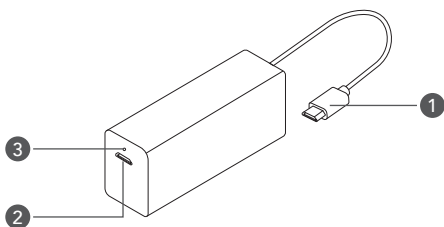
To confirm device is working properly, simply place UV test paper into sterilizer with the large "Munchkin/59S" facing up. Then press "Indicator light / power button" to begin disinfecting cycle.

If UV is working, the lettering on the test paper will become discolored. Color will return to normal after one minute.

Please discard UV test paper after testing.

## USING THE USB POWER BANK

**NOTE:** Fully recharge power bank before first use.



- ① Micro-USB output plug  
(to power sterilizer)
- ② Micro-USB input port  
(to recharge power bank)
- ③ Status light

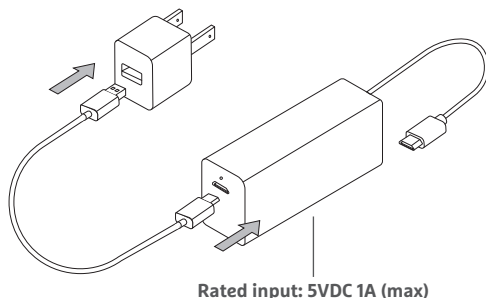
## HOW TO RECHARGE POWER BANK

Insert micro-USB end of cable into power bank's micro-USB input port. Then, insert USB-A end of cable into powered USB port or electrical outlet using a USB wall adapter (not included).

Status light will flicker red while recharging. When power bank is fully recharged, status light will turn solid white.

## HOW TO POWER STERILIZER

Insert power bank's micro-USB output plug into sterilizer's micro-USB port. Status light will turn solid white to indicate power bank is on. If status light is red, power bank needs to be recharged.

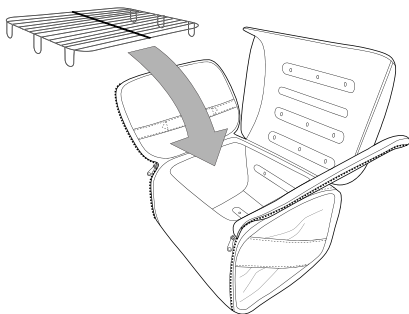


## INDICATOR LIGHT CHART

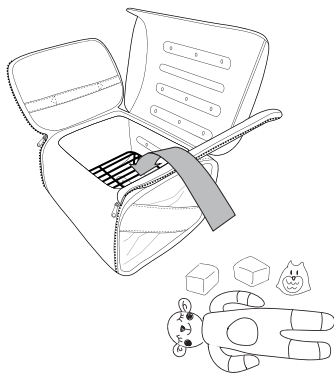
INDICATOR LIGHT	MODE
Solid light	Ready
Blinking light	Disinfecting in progress
Solid light	Disinfecting complete / ready
No light	Off

## HOW TO USE

1. Open sterilizer cover and lay nursery platform across bottom of case.



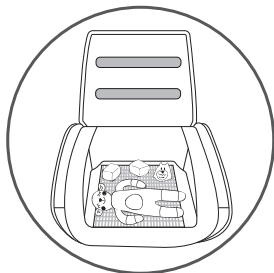
2. Place items onto nursery platform. Do not let items overlap.



### PROPER PLACEMENT OF TOYS:

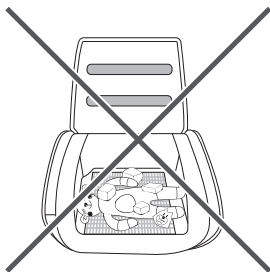
**NOTE:** This device disinfects surfaces exposed to UV light. Items must have unobstructed access to UV light.

**PROPER PLACEMENT:** Position items apart to maximize light exposure on surfaces.

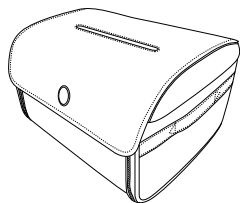


### INCORRECT PLACEMENT OF TOYS:

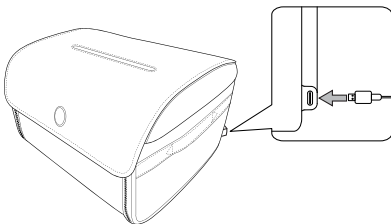
Excess or overlapping items will reduce disinfection effectiveness.



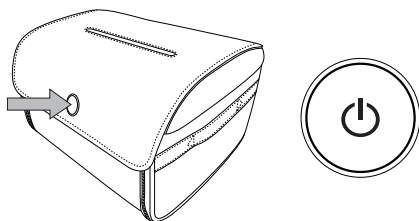
3. Close cover.



4. Insert power bank's micro-USB output plug into sterilizer's micro-USB port. Ensure power bank is fully charged by checking that status light is solid white. If red, power bank needs to be recharged.



5. Press the "Indicator light / power button" to start 5 minute cycle.



6. When disinfecting is finished, indicator light will be automatically turned off. Open cover to remove items.

The unit is now ready for use again. If inactive, indicator light will turn off after three minutes and unit will resume sleep.

Press once to wake. Press again to start disinfecting.

## CLEANING

This device is not waterproof. Do not immerse in water.

To clean, wipe surface of unit with a towel. Remove any water droplets to prevent moisture from damaging unit's circuitry.

Between use or while carrying it during travel, please put this product into storage bag to prevent dust contamination and to protect surface from abrasion.

## BAG TEXTILE CARE INSTRUCTION

Surface wash with clean, damp cloth. Air-dry. Do not iron. Do not immerse in water and other liquids. Any other servicing should be performed by an authorized service representative.

## TROUBLESHOOTING

### 1. If the power button does not respond or the unit will not turn on:

- (A) Check the power bank. If the power bank is depleted, replace with new power bank.
- (B) Check if USB cable is connected properly to the power source. Pull out the cable and re-insert securely into the port.
- (C) If the internal circuit is damaged, the unit must be returned to Munchkin for after-sales service.

### 2. If sterilizer doesn't complete the 5 minute cycle:

- (A) Check if USB power bank is fully charged. Recharge power bank if power bank's indicator light is red.

## ONE-YEAR LIMITED WARRANTY

Munchkin's Nursery Sterilizer includes a 1-year limited warranty against defects from the date of purchase. In the event of a malfunction or defect during the in-warranty period, Munchkin, Inc. at its option, will replace or repair the product under warranty. Upon receipt of the product and proof of purchase with a valid date of purchase, the defective part will be immediately repaired or replaced and returned to you free of charge (USA only). Please send defective unit, proof of purchase and a description of the problem you have encountered to:

Munchkin, Inc. 7835 Gloria Avenue  
Van Nuys, CA 91406, USA  
Attn: Nursery Sterilizer Warranty

**NOTE:** This warranty does not cover misuse, abuse, abnormal wear & tear, negligence, environmental exposure, alteration or accident. Any alteration or removal of the product date code invalidates all claims against the manufacture.

## TECHNICAL SPECIFICATIONS

- Product name: 59S UV LED Nursery Sterilizer
- Model: MKCL0732
- Input connector: Micro-USB 2A, 10W
- Rated input: 3-5VDC, 10W Use only with supplied rechargeable power bank (PB2000)
- Dimensions: 11 in. (280mm) x 13.9 in. (350mm) x 8in. (203mm)
- Net weight: 2.65 lbs., (1.2 kg) includes power pack and rack
- UVC LED life: 3000 Hours
- Working temperature: 32~104°F (0~40°C)
- Storage temperature: -4~131°F (-20~55°C)
  
- Safety listings:
- CONFORMS TO UL STD. UL1431
- CERTIFIED TO CSA STD. C22.2 NO.224



- Battery model: PB2000
- Battery type: Lithium-ion battery
- Battery capacity: 2000mAh 3.7V/7.4Wh
- Input interface: Micro-USB (female port)
- Output interface: Micro-USB (male plug)
- Rated input: 5 VDC, 1A(Max)
- Rated output: 3 - 4.2 VDC, 3.5A
- Battery life: 2000 mAh rechargeable battery pack provides up to ~45 mins

## CONTACT US

If you have any questions or wish to provide comments about this product, feel free to contact our Customer Satisfaction team at **1-800-344-2229** (M-TH 8:00am-5:00pm PST, F 8:00am-1:00pm PST) or visit our website at **[www.munchkin.com](http://www.munchkin.com)**.





# PRÉCAUTIONS IMPORTANTES

Lors de l'utilisation d'appareils électriques, en particulier en présence d'enfants, des précautions de sécurité de base doivent toujours être prises, notamment :

## LISEZ TOUTES LES DIRECTIVES AVANT D'UTILISER LE STÉRILISATEUR POUR ARTICLES D'ENFANT

**⚠ DANGER :** Pour réduire le risque de choc électrique :

- Débranchez toujours ce produit immédiatement après l'emploi.
- N'utilisez pas le produit dans la baignoire.
- Ne placez pas et ne rangez pas le produit à un endroit où il risque de tomber ou d'être tiré dans une baignoire ou un évier.
- Ne mettez pas et ne laissez pas tomber le produit dans l'eau ou dans un autre liquide.
- N'attrapez pas un produit qui est tombé dans l'eau. Débranchez le produit immédiatement.

**⚠ MISE EN GARDE :** Pour réduire le risque de brûlure, de choc électrique, d'incendie ou de blessure :

- L'observation directe de la lumière produite par la lampe dans cet appareil peut provoquer des lésions oculaires. Éteignez toujours la lumière DÉL avant de retirer le couvercle de protection.
- Le rayonnement causé par la lumière DÉL des UV peut causer de graves brûlures de la peau et des blessures oculaires.
- L'exposition à la lumière UV peut dégrader le plastique, le tissu et le caoutchouc au fil du temps.
- Ne regardez pas la lumière UV directement pendant le fonctionnement.
- N'utilisez jamais cet appareil sur des animaux et des aliments.
- Ne modifiez pas les dispositifs de verrouillage du couvercle afin d'éviter l'exposition aux rayons UV.
- Le stérilisateur pour articles d'enfant ne doit jamais être laissé sans surveillance lorsqu'il est branché.
- Une surveillance étroite est nécessaire lorsque ce produit est utilisé par, sur ou près d'enfants ou de personnes handicapées.
- Utilisez uniquement le stérilisateur pour articles d'enfant pour l'usage auquel il est destiné, tel que décrit dans ce manuel. N'utilisez pas d'accessoires non recommandés par Munchkin.
- N'utilisez jamais cet appareil si son cordon ou sa fiche USB est endommagé, s'il ne fonctionne pas correctement, s'il est tombé ou a été endommagé, ou s'il est tombé dans l'eau. Retournez le produit au centre de services de Munchkin aux fins d'inspection et de réparation.
- Tenez le cordon à l'écart des surfaces chauffées.
- N'utilisez jamais le produit en dormant ou dans un état somnolent.
- Ne laissez jamais tomber et n'insérez jamais d'objet dans l'ouverture.
- Ce produit est réservé à un usage domestique seulement.

**⚠ MISE EN GARDE :** Pour réduire le risque d'incendie, de choc électrique ou de blessure :

- Ne laissez pas l'appareil sans surveillance lorsqu'il est branché. Débranchez l'appareil de la source d'alimentation lorsqu'il n'est pas utilisé et avant son entretien.
- Ne permettez pas que l'appareil soit utilisé comme un jouet. Une attention particulière est nécessaire lorsqu'il est utilisé par des enfants ou à proximité d'enfants.
- Utilisez le produit uniquement tel que décrit dans ce manuel. Utilisez uniquement les accessoires recommandés par Munchkin.
- N'utilisez pas le produit avec un cordon ou une fiche endommagé. Si l'appareil ne fonctionne pas comme il le devrait, s'il est tombé, s'il a été endommagé, laissé à l'extérieur ou s'il est tombé dans l'eau, retournez-le à Munchkin.
- Ne tirez pas sur le cordon, ne transportez pas le produit par le cordon, n'utilisez pas le cordon comme une poignée, ne fermez pas de porte sur le cordon et ne faites pas passer le cordon par des bords ou des coins tranchants. Ne passez pas d'appareils sur le cordon d'alimentation. Tenez le cordon à l'écart des surfaces chauffées.
- Ne débranchez pas le produit en tirant sur le cordon. Pour débrancher l'appareil, saisissez la fiche et non le cordon.
- Ne manipulez pas la fiche ou l'appareil avec les mains mouillées.
- Éteignez toutes les commandes avant de débrancher l'appareil.
- Faites effectuer l'entretien par un réparateur qualifié en n'utilisant que des pièces de rechange identiques. Cela permettra d'assurer le maintien de la sécurité du produit.
- Cet appareil peut être utilisé par des enfants à partir de 8 ans et par des personnes ayant des capacités physiques, sensorielles ou mentales réduites ou un manque d'expérience et de connaissances s'ils sont sous la surveillance ou ont reçu les instructions d'utilisation de l'appareil de façon sécuritaire par la personne responsable de leur sécurité et qu'ils comprennent les dangers impliqués. Les enfants ne doivent pas jouer avec l'appareil. Le nettoyage et l'entretien par l'utilisateur ne doivent pas être faits par des enfants sans surveillance.
- L'appareil ne doit être utilisé qu'avec le cordon USB fourni avec l'appareil.
- Il doit être alimenté à une très basse tension sécuritaire correspondant à celle indiquée sur l'appareil.
- **DÉCLARATION DE CONFORMITÉ AUX DISPOSITIONS APPLICABLES DES EXIGENCES FÉDÉRALES AMÉRICAINES APPLICABLES, Y COMPRIS CFR 21, CHAPITRE 1, SOUS-CHAPITRE J, SANTÉ RADIOLOGIQUE.**

**⚠ MISE EN GARDE :** Ne pas désactiver le dispositif de verrouillage sur le couvercle de l'appareil. Il est conçu de façon à réduire les risques d'exposition aux rayons UV. Attention rayons uv émis par ce produit.

# VEUILLEZ CONSERVER CES INSTRUCTIONS

## AVERTISSEMENT DE LA FCC

L'appareil est conforme à la section 15 des réglementations de la FCC. Son fonctionnement est assujéti aux deux conditions suivantes : (1) Cet appareil ne doit pas causer d'interférences nuisibles, et (2) Cet appareil doit accepter toute autre interférence reçue, y compris les interférences pouvant entraîner un fonctionnement non désiré.

**⚠ MISE EN GARDE :** Tout changement ou modification à cet appareil non expressément approuvé par la partie responsable de la conformité pourrait annuler l'autorisation de l'utilisateur d'utiliser l'équipement.

**REMARQUE :** Cet équipement a été testé et déclaré conforme aux limites pour appareils numériques de classe B, selon la section 15 des règlements de la FCC. Ces restrictions visent à garantir une protection suffisante contre les interférences nuisibles dans une installation à domicile. Cet équipement produit, utilise et peut émettre de l'énergie radio électrique et, s'il n'est pas installé et utilisé conformément aux présentes instructions, peut causer des interférences nuisibles aux communications radio. Il n'existe toutefois aucune garantie que de telles interférences ne se produiront pas dans une installation particulière. Si cet appareil cause des interférences nuisibles à la réception des signaux de radio ou de télévision, ce qui peut être déterminé en allumant et en éteignant l'appareil, on encourage l'utilisateur d'essayer de corriger ces interférences par l'un des moyens suivants :

- Réorienter ou déplacer l'antenne réceptrice.
- Augmenter la distance séparant l'équipement du récepteur.
- Brancher l'équipement sur un circuit différent de celui du récepteur.
- Demander conseil au revendeur ou technicien spécialisé en radio/télévision expérimenté.

Cet APPAREIL NUMÉRIQUE DE CLASSE B est conforme à la NORME ICES-3 (B) ET NMB-003

## INTRODUCTION

Le Stérilisateur pour articles d'enfant vous permet de désinfecter les jouets de votre bébé et autres petits articles rapidement et facilement. Cet appareil est pratique et portable, alimenté par un chargeur portatif USB (inclus), pour que vous puissiez protéger la santé de votre enfant à la maison et en voyage.

La stérilisation prend 5 minutes (300 secondes), élimine les microbes nocifs et réduit les odeurs.

L'appareil utilise une technologie ultraviolette (UV) scientifiquement prouvée qui élimine jusqu'à 99,99 % des bactéries et virus nocifs. Les UV ont été utilisées avec succès dans l'industrie de la santé pour la désinfection de l'air et des surfaces. Ils sont exempts d'ozone et ne laissent aucun résidu dangereux ni produit chimique nocif.

Le Stérilisateur pour articles d'enfant peut également être utilisé de façon sécuritaire. Si le couvercle est ouvert pendant l'utilisation, l'interrupteur de protection de sécurité intégré éteint automatiquement la lumière UV.

## BACTÉRIES COURANTS ÉLIMINÉES

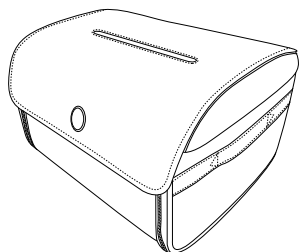
ORGANISME (BACTÉRIE/VIRUS)	% TAUX DE MORTALITÉ JUSQU'À	MALADIES ET SYMPTÔMES CONNEXES
<b>Escherichia coli</b> (ATCC 8739)	99,9%	Diarrhée, crampes abdominales, douleur ou sensibilité, nausées, vomissements
<b>Pseudomonas aeruginosa</b> (ATCC 9027)	99,9%	Otite, infection oculaire, pneumonie, éruptions cutanées
<b>Staphylococcus aureus</b> (ATCC 6538)	99,9%	Pneumonie, endocardite, ostéomyélite, impétigo, cellulite, maladie de Ritter, diarrhée, déshydratation, nausées, vomissements
<b>Cronobacter spp.</b> (Cronobacter sakazakii) (ATCC 29544)	99,9%	Septicémie, méningite sévère, infection des voies urinaires
<b>Salmonella typhimurium</b> (ATCC 14028)	99,9%	Diarrhée, fièvre, crampes abdominales, mort possible
<b>Klebsiella pneumoniae</b> [ATCC 4352]	99,9%	Pneumonie, infections du sang, infections aux plaies ou aux sites opératoires et méningite
<b>Virus respiratoire syncytial</b> (VRS) (ATCC VR-26)	99%	Le VRS est la cause la plus fréquente de bronchiolite (inflammation des petites voies respiratoires dans les poumons) et de pneumonie (infection des poumons) chez les enfants de moins d'un an aux États-Unis. C'est aussi une cause importante de maladies respiratoires chez les personnes âgées. Les symptômes d'infection incluent un écoulement nasal, une diminution de l'appétit, une toux, des éternuements, de la fièvre, une respiration sifflante, des difficultés respiratoires
<b>Grippe de type A</b> (VR 1469)	99%	Conjonctivite, syndrome grippal (p. ex. fièvre, toux, mal de gorge, douleurs musculaires) parfois accompagné de nausées, de douleurs abdominales, de diarrhée et de vomissements, maladie respiratoire grave (p. ex. essoufflement, difficultés respiratoires, pneumonie, détresse respiratoire aiguë, pneumonie virale, insuffisance respiratoire), changements neurologiques (modification de l'état mental, convulsions) et implication d'autres systèmes d'organes
<b>Rhinovirus de type 37</b> (ATCC VR-1147)	99%	Rhume qui cause des maux de gorge, des otites et des infections des sinus (ouvertures dans l'os près du nez et des yeux) et un écoulement nasal, une pneumonie et une bronchiolite

## MISE EN GARDE CONCERNANT LES PILES

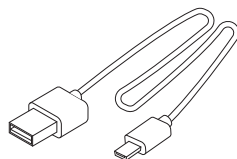
Dans des circonstances exceptionnelles, les piles peuvent présenter des fuites de liquides qui peuvent causer une brûlure chimique ou endommager votre produit. Pour éviter les fuites de piles, suivez les instructions ci-dessous.

- Insérez le bloc-pile dans la bonne position de polarité.
- Ne court-circuitez pas les bornes du bloc-pile.
- Retirez le bloc-pile lorsque vous n'utilisez pas le produit pendant de longues périodes.
- Ne mettez pas les doigts ou les mains dans le chargeur portable.
- N'exposez pas le chargeur portable à la pluie ou à la neige.
- Ne plongez pas le bloc-pile dans l'eau ou d'autres liquides.
- L'utilisation d'une source d'alimentation ou d'un chargeur non recommandé ou non vendu par le fabricant du bloc d'alimentation peut entraîner un risque de blessure.
- N'utilisez qu'un bloc-pile du même type ou d'un type équivalent, tel que recommandé.
- N'utilisez pas le chargeur portable au-delà de sa puissance nominale. Une puissance de surcharge supérieure à la puissance nominale peut entraîner un risque d'incendie ou de blessure.
- N'utilisez pas le chargeur portable s'il est endommagé ou modifié. Les piles endommagées ou modifiées peuvent présenter un comportement imprévisible et provoquer un incendie, une explosion ou un risque de blessure.
- Ne démontez pas le chargeur portable. Apportez-le à un technicien qualifié lorsqu'un entretien ou une réparation est nécessaire. Un remontage incorrect peut entraîner un risque d'incendie ou de blessure.
- N'exposez pas le chargeur portable au feu ou à une température excessive. L'exposition au feu ou à une température supérieure à 100 °C (212 °F) peut provoquer une explosion.
- Ne jetez pas ce produit au feu. Le bloc-pile à l'intérieur peut exploser ou fuir.
- Faites effectuer l'entretien par un réparateur qualifié en n'utilisant que des pièces de rechange identiques. Cela permettra d'assurer le maintien de la sécurité du produit.

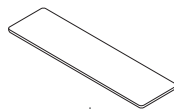
## PIÈCES INCLUSES



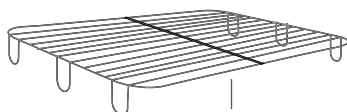
Unité de stérilisation



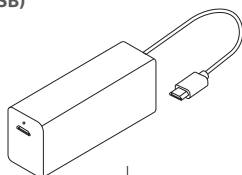
Câble USB pour charger  
le chargeur portable USB  
(USB-A à micro-USB)



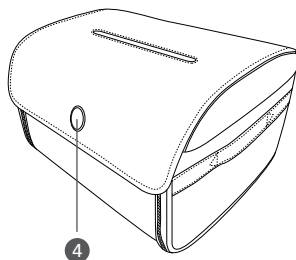
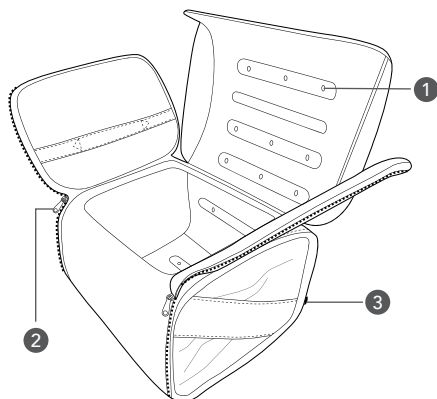
Papier de test UV



Plateforme pour  
jouets



Chargeur portable USB  
Modèle de batterie : PB2000  
(batterie rechargeable)



1 Voyants DÉL UV

2 Fermetures éclair

3 Port micro-USB

4 Témoin lumineux / bouton d'alimentation

## DISPOSITIF DE SÉCURITÉ

Si le couvercle est ouvert pendant l'utilisation, la lumière UVC s'éteindra automatiquement pour protéger la peau et les yeux de l'exposition aux rayons UV.

## UTILISER LE PAPIER DE TEST UV

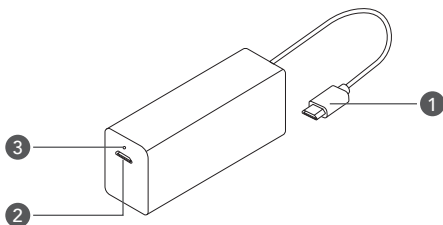
Pour confirmer le bon fonctionnement de l'appareil, placez simplement le papier de test UV dans le stérilisateur avec le grand « Munchkin/59S » vers le haut. Appuyez ensuite sur le « témoin lumineux/bouton de mise sous tension » pour démarrer le cycle de désinfection.

Si les rayons UV fonctionnent, les lettres sur le papier de test se décolorent. La couleur reviendra à la normale après une minute.

Veuillez jeter le papier de test UV après le test.

## UTILISER LE CHARGEUR PORTATIF USB

**REMARQUE :** Rechargez complètement le chargeur portatif avant la première utilisation.



- ① Fiche de sortie micro-USB  
(pour alimenter le stérilisateur)
- ② Port d'entrée micro-USB  
(pour recharger le chargeur portatif)
- ③ Témoin d'état



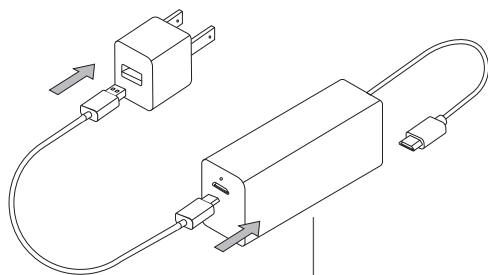
## COMMENT RECHARGER LE CHARGEUR PORTATIF

Insérez l'extrémité micro-USB du câble dans le port d'entrée micro-USB du chargeur portatif. Ensuite, insérez l'extrémité USB-A du câble dans un port USB alimenté ou une prise électrique à l'aide d'un adaptateur mural USB (non inclus).

Le témoin d'état clignote en rouge pendant la recharge. Lorsque le chargeur portatif sera complètement rechargé, le témoin d'état deviendra blanc et ne clignotera plus.

## COMMENT ALIMENTER LE STÉRILISATEUR

Insérez la fiche de sortie micro-USB du chargeur portatif dans le port micro-USB du stérilisateur. Le témoin d'état deviendra blanc et ne clignotera plus pour indiquer que le chargeur portatif est allumé. Si le témoin d'état est rouge, le chargeur portatif doit être rechargé.



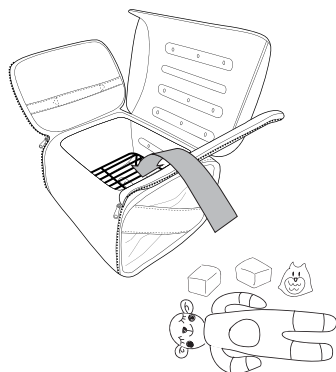
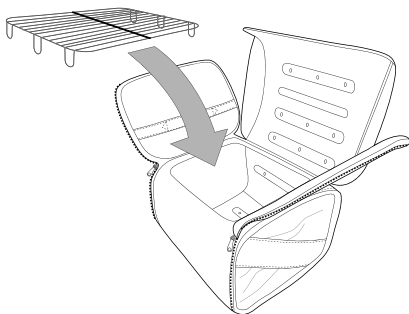
Puissance d'entrée nominale : 5VCC 1A (max.)

## GUIDE DU TÉMOIN LUMINEUX

TÉMOIN LUMINEUX	MODE
Lumière pleine	Prêt
Lumière clignotante	Désinfection en cours
Lumière pleine	Désinfection terminée / Prêt
Aucune lumière	Éteint

## MODE D'EMPLOI

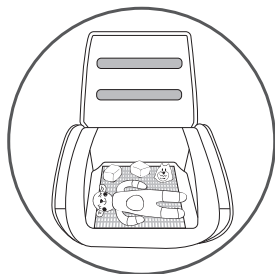
1. Ouvrez le couvercle du stérilisateur et déposez la plateforme pour articles dans le fond de l'unité.
2. Placez les articles sur la plateforme pour articles. Ne laissez aucune pièce se chevaucher.



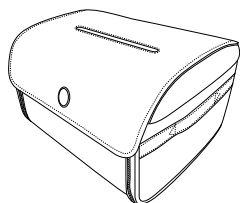
**PLACEMENT ADÉQUAT DES ARTICLES :**

**REMARQUE :** Cet appareil désinfecte les surfaces exposées à la lumière UV. Les articles doivent avoir un accès libre à la lumière UV.

**PLACEMENT CORRECT :** Placez les articles séparés les uns des autres pour maximiser l'exposition à la lumière sur les surfaces.

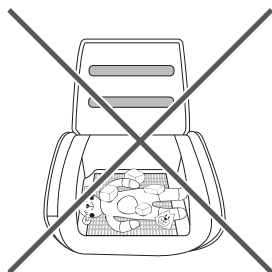


3. Fermez le couvercle.

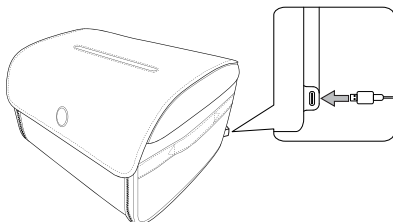


**POSITIONNEMENT INCORRECT DES ARTICLES :**

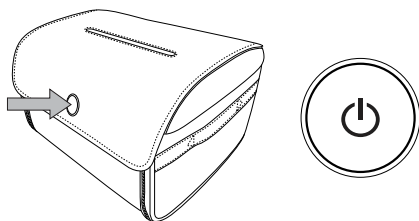
L'excès ou le chevauchement d'articles réduira l'efficacité de la désinfection.



4. Insérez la fiche de sortie micro-USB du chargeur portable dans le port micro-USB du stérilisateur. Assurez-vous que le chargeur portable est complètement chargé en vérifiant que le témoin d'état est blanc et ne clignote plus. S'il est rouge, le chargeur portable doit être rechargé.



5. Appuyez sur le « témoin lumineux / bouton de mise sous tension » pour démarrer le cycle de 5 minutes.



6. Lorsque la désinfection est terminée, le témoin lumineux s'éteint automatiquement. Ouvrez le couvercle pour retirer les articles.

L'appareil est maintenant prêt à être réutilisé. En cas d'inactivité, le témoin lumineux s'éteindra après trois minutes et l'appareil passera à nouveau en mode « veille ».

Appuyez une fois pour l'allumer. Appuyez à nouveau pour commencer la désinfection.

## NETTOYAGE

Cet appareil n'est pas étanche. Ne le plongez pas dans l'eau.

Pour le nettoyer, essuyez la surface de l'unité avec une serviette. Enlevez les gouttelettes d'eau pour empêcher l'humidité d'endommager les circuits de l'appareil.

Entre chaque utilisation ou pour le transport, veuillez mettre ce produit dans un sac de rangement pour éviter la contamination par la poussière et protéger la surface de l'abrasion.

## DIRECTIVES D'ENTRETIEN DU SAC TEXTILE

Laver la surface avec un chiffon propre et humide. Laisser sécher à l'air. Ne pas repasser. Ne pas plonger dans l'eau et d'autres liquides. Tout autre entretien doit être effectué par un technicien agréé.

## DÉPANNAGE

### 1. Si le bouton d'alimentation ne répond pas ou si l'appareil ne s'allume pas:

- (A) Vérifiez le chargeur portable. Si le chargeur portable est épuisé, remplacez-les par un chargeur portable neuf.
- (B) Vérifiez si le câble USB est correctement branché à la source d'alimentation. Débranchez le câble et insérez-le à nouveau fermement dans le port.
- (C) Si le circuit interne est endommagé, l'appareil doit être retourné à Munchkin pour service après-vente.

### 2. Si le stérilisateur ne termine pas le cycle de 5 minutes :

- (A) Vérifiez si le chargeur portatif USB est entièrement chargé. Si le témoin lumineux du chargeur portatif est rouge, rechargez le chargeur portatif.

## GARANTIE LIMITÉE D'UN AN

Le Stérilisateur pour articles d'enfant de Munchkin est assorti d'une garantie limitée d'un an contre tout défaut à compter de la date d'achat. En cas de défaillance ou de défaut au cours de la période sous garantie, Munchkin, Inc. peut, à sa discrétion, remplacer ou réparer le produit sous garantie. Dès réception du produit et de la preuve d'achat avec une date d'achat valide, la pièce défectueuse sera immédiatement réparée ou remplacée et le produit vous sera retourné sans frais (États-Unis seulement). Veuillez envoyer l'appareil défectueux, la preuve d'achat et une description du problème que vous avez rencontré à :

Munchkin, Inc. 7835 Gloria Avenue  
Van Nuys, CA 91406, USA  
Attn: Nursery Sterilizer Warranty

**REMARQUE :** Cette garantie ne couvre pas la mauvaise utilisation, l'abus, l'usure anormale, la négligence, l'exposition à l'environnement, les altérations ou les accidents. Toute modification ou suppression du code de date du produit annule toute réclamation à l'encontre du fabricant.

## SPÉCIFICATIONS TECHNIQUES

- Nom du produit : Stérilisateur pour articles d'enfant DÉL UV 59S
- Modèle : MKCL0732
- Connecteur d'entrée : Micro-USB 2A,10W
- Puissance d'entrée nominale : 3-5VCC, 2A Utiliser uniquement avec le bloc d'alimentation rechargeable fourni (PB2000)
- Dimensions : 11 po (280 mm) x 13,9 po (350 mm) x 8 po (203 mm)
- Poids net : 2,2 lb (1 kg)
- Durée de vie de la lumière DÉL UVC : 3 000 heures
- Température de fonctionnement : 32~104 °F (0~40 °C)
- Température de stockage : -4~131°F (-20~55°C)
  
- Normes de sécurité :
- CONFORME À LA NORME UL. UL1431
- CERTIFIÉ SELON LA NORME CSA C22.2 NO.224



- Modèle : PB2000
- Type de batterie : Batterie au lithium-ion
- Modèle de batterie : PB2000
- Capacité de la batterie : 2000mAh 3.7V/7.4Wh
- Interface d'entrée : Micro-USB (port femelle)
- Interface de sortie : Micro-USB (connecteur mâle)
- Puissance d'entrée nominale : 5 VCC 1A (max.)
- Puissance nominale : 3 - 4.2 VCC, 3.5A
- Durée de vie de la pile : Le bloc-batterie rechargeable 2000 mAh fournit jusqu'à ~45 min.

## CONTACTEZ-NOUS

Si vous avez des questions ou des commentaires sur ce produit, n'hésitez pas à contacter notre équipe de satisfaction client au **1-800-344-2229** (M-TH 8:00am-5:00pm PST, F 8:00am-1:00pm PST) ou visitez notre site Web au **www.munchkin.com**.



# INFORMACIÓN IMPORTANTE

Al utilizar productos eléctricos, y en especial si hay niños pequeños presentes, deben tenerse en cuenta unas normas de seguridad básicas:

## LEER ATENTAMENTE LAS PRESENTES INSTRUCCIONES ANTES DE UTILIZAR EL ESTERILIZADOR DE ARTÍCULOS INFANTILES

**⚠ PELIGRO:** para reducir el riesgo de electrocución:

- Desconectar siempre el producto tras su uso.
- No utilizar el producto en la tina.
- No colocar ni guardar el producto en un lugar desde el que pueda caer a una tina o fregadero.
- No sumergir en agua ni en cualquier otro líquido.
- No agarrar un producto que haya caído al agua. Desconectar inmediatamente.

**⚠ ADVERTENCIA:** para reducir el riesgo de quemaduras, electrocuciones, incendios o lesiones personales:

- Mirar directamente a la luz generada por la lámpara del dispositivo podría provocar lesiones oculares. Apagar siempre el LED antes de abrir la tapa protectora.
- La radiación LED de rayos UV puede provocar quemaduras y lesiones oculares graves.
- La exposición a rayos UV puede deteriorar plásticos, tejidos y gomas con el tiempo.
- No mirar directamente a la luz ultravioleta cuando el aparato está en funcionamiento.
- No utilizar el dispositivo con mascotas ni alimentos.
- No modificar los mecanismos de cierre de la tapa para evitar la exposición a rayos ultravioleta.
- No dejar el esterilizador de artículos infantiles funcionando y sin supervisión.
- Extremar las precauciones de seguridad al utilizar el producto con niños o personas discapacitadas cerca.
- Utilizar el esterilizador de artículos infantiles solo para los fines previstos y según lo descrito en el presente manual. No utilizar accesorios que no sean los recomendados por Munchkin.
- No utilizar el producto si el cable USB o el enchufe están dañados, si no funciona correctamente, si ha sufrido golpes o se ha sumergido en agua. Devolver el producto al centro de reparaciones Munchkin para examinarlo y repararlo.
- Mantener el cable alejado de superficies calientes.
- No utilizar mientras se duerme o en estado somnoliento.
- No dejar caer ni introducir ningún objeto en las ranuras.
- Este producto es para uso doméstico exclusivamente.



**⚠ ADVERTENCIA:** para reducir el riesgo de incendio, descarga eléctrica o lesiones personales:

- No dejar el aparato conectado. Desconectar de la fuente de alimentación cuando no se utilice y antes de realizar tareas de mantenimiento.
- Este aparato no es un juguete. No dejarlo en manos de un niño. Extremar las precauciones al utilizarlo con niños cerca.
- Utilizarlo únicamente según se describe en el presente manual. Emplear exclusivamente accesorios recomendados por Munchkin.
- No usar si el cable o el enchufe están dañados. Si el dispositivo no funciona correctamente, ha sufrido golpes, se ha dañado, se dejó al aire libre o cayó al agua, devolverlo a Munchkin.
- No halar ni transportar tirando del cable. No utilizar el cable a modo de asa, no dejar el cable atrapado por una puerta ni halar de él en esquinas o bordes afilados. No colocar objetos sobre el cable. Mantener el cable alejado de superficies calientes.
- No desconectar halando del cable. Para desconectar, agarrar el enchufe, no el cable.
- No manipular el enchufe o el aparato con las manos mojadas.
- Apagar todos los controles antes de desconectar el aparato.
- Toda tarea de reparación o mantenimiento deberá ser realizada por personal cualificado y solo podrán emplearse recambios idénticos. Esto garantizará la seguridad del producto.
- El aparato puede ser utilizado por niños mayores de 8 años, personas con capacidades físicas, sensoriales y mentales limitadas o personas sin experiencia o conocimientos técnicos siempre y cuando estén supervisadas o se les hayan dado instrucciones sobre cómo emplear el dispositivo de forma segura y comprendan los peligros potenciales. El aparato no es un juguete y no debe utilizarse como tal. La limpieza y el mantenimiento no podrá ser realizado por menores sin supervisión.
- El aparato solo puede utilizarse con el cable USB suministrado por el fabricante.
- Se alimentará a un voltaje muy bajo y seguro según se indica en el propio aparato.
- **DECLARACIÓN DE CONFORMIDAD CON LAS DISPOSICIONES APLICABLES DE LOS CORRESPONDIENTES REQUISITOS FEDERALES ESTADOUNIDENSES, INCLUIDO EL TÍTULO 21 DEL CÓDIGO DE REGULACIONES FEDERALES, CAPÍTULO 1, SUBCAPÍTULO J, SALUD RADIOLÓGICA.**

**⚠ ADVERTENCIA:** no desactivar el mecanismo de cierre de la tapa del dispositivo. Se ha diseñado para reducir el riesgo de exposición a radiación ultravioleta. Precaución. Este producto emite rayos ultravioleta.

# CONSERVAR LAS INSTRUCCIONES

## ADVERTENCIA DE LA FCC

Este dispositivo es conforme al apartado 15 de la normativa de la FCC. El funcionamiento está sujeto a las dos condiciones siguientes: 1) El dispositivo no provocará interferencias peligrosas y 2) El dispositivo aceptará toda interferencia recibida, incluida aquella que pueda provocar un funcionamiento no deseado.

**⚠ ADVERTENCIA:** todo cambio o modificación del aparato sin la aprobación expresa de la parte responsable del cumplimiento podría anular la autoridad del usuario para utilizar el dispositivo.

**NOTA:** este aparato ha sido probado y cumple las limitaciones de un dispositivo digital de Clase B con arreglo al apartado 15 de la normativa de la FCC. Dichas limitaciones ofrecen una protección razonable contra interferencias dañinas en una instalación doméstica. Este dispositivo genera, utiliza y puede emitir radiaciones radioeléctricas y, de no instalarse y utilizarse según las instrucciones, podría provocar interferencias perjudiciales para las comunicaciones por radio. No obstante, no se puede garantizar la ausencia de interferencias en una instalación en concreto. En el supuesto de que el aparato provoque interferencias perjudiciales para la recepción de radio o televisión, algo que se puede comprobar encendiendo y apagando el aparato, se recomienda corregirlas según una de las medidas siguientes:

- Reorientar o reubicar la antena receptora.
- Aumentar la separación entre el aparato y el receptor.
- Conectar el aparato a una toma de un circuito distinto al que está conectado el receptor.
- Consultar al proveedor o a un técnico profesional de radio/televisión.

Este APARATO DIGITAL DE CLASE B es conforme a las normas CANADIENSES ICES-3 (B)/NMB-3(B)

## PRESENTACIÓN

El esterilizador de artículos infantiles permite desinfectar juguetes de bebé y demás objetos de tamaño reducido de forma rápida y sencilla. Gracias a que se trata de un dispositivo portátil y que puede alimentarse por medio de un cargador USB (incluido), se puede proteger la salud del bebé tanto en casa como fuera de ella.

La esterilización dura 5 minutos (300 segundos) y permite eliminar gérmenes nocivos y olores.

El dispositivo utiliza una tecnología ultravioleta (UV) científicamente probada que elimina el 99% de bacterias y virus nocivos. La tecnología UV se emplea con éxito en la industria sanitaria para la desinfección de superficies y ambientes. No emplea ozono ni deja residuos peligrosos o sustancias químicas dañinas.

El uso del esterilizador de artículos infantiles también es seguro. En caso de abrir la tapa durante el uso, el interruptor de protección de seguridad integrado desconectará automáticamente la luz UV.

## GÉRMENES HABITUALES ELIMINADOS

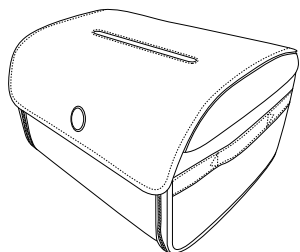
ORGANISMO (BACTERIA/VIRUS)	% TASA DE MORTALIDAD HASTA	ENFERMEDADES Y SÍNTOMAS RELACIONADOS
<b>Escherichia coli</b> [ATCC 8739]	99,9%	Diarreas, cólicos abdominales, dolor o distensión, náuseas, vómitos
<b>Pseudomonas aeruginosa</b> [ATCC 9027]	99,9%	Infección de oídos, infección ocular, neumonía, erupciones cutáneas
<b>Staphylococcus aureus</b> [ATCC 6538]	99,9%	Neumonía, endocarditis, osteomielitis, impétigo, celulitis, síndrome de piel escaldada por estafilococo, diarreas, deshidratación, náuseas, vómitos
<b>Cronobacter spp.</b> (Cronobacter sakazakii) [ATCC 29544]	99,9%	Sepsis, meningitis grave, infección del tracto urinario
<b>Salmonella thiphymurium</b> [ATCC 14028]	99,9%	Diarreas, fiebre, cólicos abdominales, riesgo de muerte
<b>Klebsiella pneumoniae</b> [ATCC 4352]	99,9%	Neumonía, infecciones del torrente sanguíneo, infección de heridas o en quirófanos, meningitis
<b>Virus respiratorio sincitial (VRS)</b> [ATCC VR-26]	99%	El VRS es la causa más habitual de bronquiolitis (inflamación de las vías respiratorias del pulmón) y neumonía (infección de los pulmones) en niños menores de 1 año en los Estados Unidos. También es una de las causas principales de enfermedades respiratorias en adultos de edad avanzada. Entre los síntomas infecciosos se incluyen moqueo, disminución del apetito, tos, estornudos, fiebre, silbidos al respirar, dificultad para respirar
<b>Influenza A</b> [VR 1469]	99%	Conjuntivitis, enfermedad similar a la gripe (esto es, fiebre, tos, dolor de garganta, dolor muscular) a veces acompañada por náuseas, dolor abdominal, diarrea y vómitos, enfermedad respiratoria grave (esto es, dificultad para respirar, neumonía, síndrome de dificultad respiratoria aguda, neumonía vírica, insuficiencia respiratoria), cambios neurológicos (alteración del estado mental, desmayos) y afección de otros sistemas orgánicos
<b>Rinovirus de tipo 37</b> [ATCC VR-1147]	99%	Resfrío común que provoca dolor de garganta, infección de oído e infecciones de los senos nasales (aperturas del hueso próximo a la nariz y ojos) y moqueo, neumonía y bronquiolitis

## INFORMACIÓN IMPORTANTE SOBRE LAS BATERÍAS

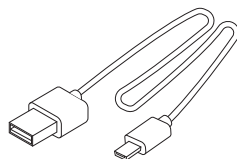
En casos excepcionales, las baterías pueden presentar fugas de líquidos que pueden resultar en quemaduras químicas o estropear el aparato. Para evitarlo, seguir las instrucciones siguientes.

- Introducir las baterías según la posición de polaridad correcta.
- No cortocircuitar los terminales de las baterías.
- Remover las baterías si el aparato no se va a utilizar durante un largo período de tiempo.
- No introducir los dedos o la mano en el cargador.
- No exponer el cargador a lluvia o nieve.
- No sumergir las baterías en agua ni en cualquier otro líquido.
- El uso de un alimentador o cargador no recomendado o vendido por un fabricante distinto puede provocar lesiones personales.
- Emplear únicamente baterías del mismo tipo o equivalentes según las recomendaciones del fabricante.
- No utilizar el cargador por encima de su potencia nominal. Una corriente de sobrecarga superior a la potencia nominal puede provocar un incendio o daños personales.
- No utilizar el cargador si presenta daños o se ha modificado. El uso de baterías dañadas o modificadas puede provocar una reacción inesperada y resultar en fuego, explosión o daños personales.
- No desarmar el cargador. Si se necesita reparar o someterse a mantenimiento, encargárselo a personal cualificado. El rearmado incorrecto puede provocar un incendio o daños personales.
- No exponer el cargador a fuego o a temperaturas excesivas. La exposición a fuego o a temperaturas superiores a los 100 °C (212 °F) podría provocar una explosión.
- No arrojar el producto al fuego. Las baterías del interior podrían explotar o provocar fugas.
- Toda tarea de reparación o mantenimiento deberá ser realizada por personal cualificado y solo podrán emplearse recambios idénticos. Esto garantizará la seguridad del producto.

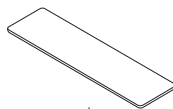
## PIEZAS INCLUIDAS



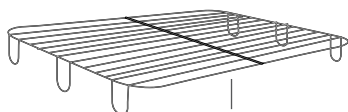
Unidad esterilizadora



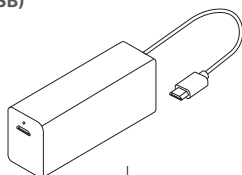
Cable USB para cargar el cargador USB (USB-A a micro USB)



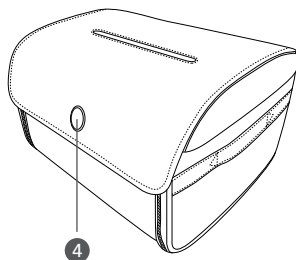
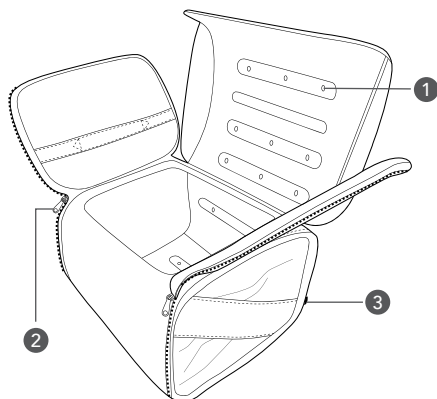
Papel de prueba UV



Rejilla para juguetes



Cargador USB  
Modelo de batería: PB2000  
(Batería recargable)



1 Indicadores LED UV

2 Cremalleras

3 Puerto micro-USB

4 Indicador luminoso / botón de encendido

## DISPOSITIVO DE SEGURIDAD

En caso de que se abra la tapa mientras el dispositivo esté en funcionamiento, la luz UV se apagará automáticamente para proteger la piel y los ojos contra la exposición ultravioleta.

## USO DE PAPEL DE PRUEBA UV

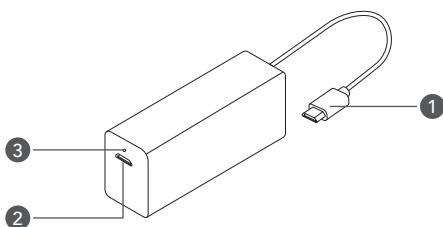
Para confirmar el correcto funcionamiento del aparato, colocar el papel de prueba UV en el esterilizador con la inscripción "Munchkin/59S" orientada hacia arriba. A continuación, pulsar "Indicador luminoso/botón de encendido" para iniciar el ciclo de desinfección.

Si la radiación UV funciona, la inscripción del papel de prueba quedará descolorida. La coloración volverá a la normalidad cuando haya transcurrido un minuto.

Eliminar el papel de prueba UV tras el ensayo.

## USO DEL CARGADOR USB

**NOTA:** recargar por completo el cargador antes de utilizarlo por primera vez.



- 1 Toma de salida micro-USB  
(para alimentar el esterilizador)
- 2 Puerto de entrada micro-USB  
(para recargar el cargador)
- 3 Indicador de estado

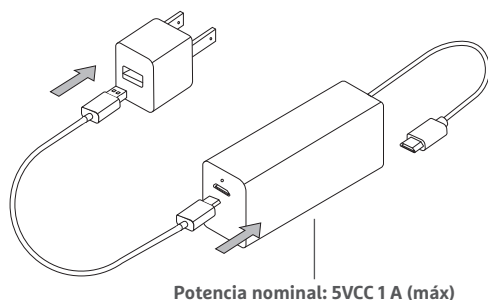
## RECARGAR EL CARGADOR

Introducir el extremo micro-USB del cable en el puerto de entrada micro-USB del cargador. A continuación, introducir el extremo USB-A del cable en el puerto USB alimentado o en una toma eléctrica por medio de un adaptador de pared de USB (no incluido).

Durante la recarga, el indicador de estado parpadeará en rojo. Cuando el cargador esté totalmente recargado, el indicador de estado se iluminará en blanco.

## ALIMENTAR EL ESTERILIZADOR

Introducir la toma de salida micro-USB del cargador en el puerto micro-USB del esterilizador. El indicador de estado se iluminará en blanco para señalar que el cargador está encendido. El indicador de estado se iluminará en rojo cuando haya que recargar el cargador.

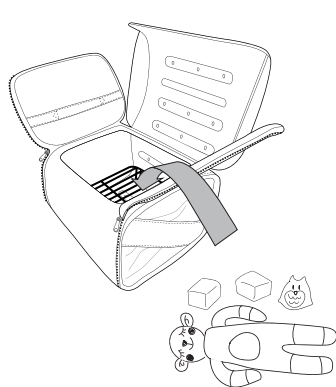
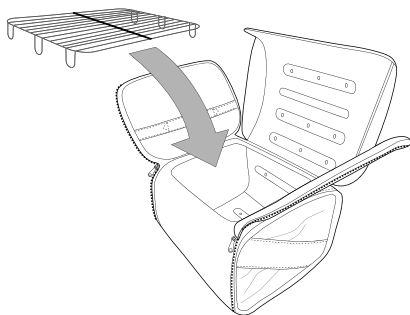


## GUÍA DEL INDICADOR LUMINOSO

INDICADOR LUMINOSO	MODO
Luz fija	Listo
Luz parpadeante	Desinfección en curso
Luz fija	Desinfección finalizada/listo
Luz apagada	Desconectado

## INSTRUCCIONES DE USO

1. Abrir la tapa del esterilizador y colocar la rejilla para artículos infantiles en la parte inferior del aparato.
2. Colocar los artículos sobre la rejilla para artículos infantiles. No dejar que los artículos se superpongan.





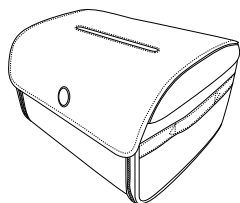
## COLOCACIÓN CORRECTA DE LOS ARTÍCULOS:

**NOTA:** Este dispositivo desinfecta las superficies expuestas a rayos UV. Los artículos deben tener un acceso totalmente despejado a los rayos UV.

**COLOCACIÓN CORRECTA:** separar los artículos para potenciar la exposición de las superficies a los rayos.

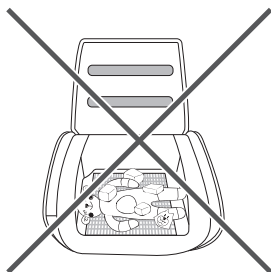


3. Cerrar la tapa.

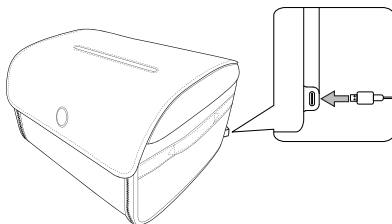


## COLOCACIÓN INCORRECTA DE LOS ARTÍCULOS:

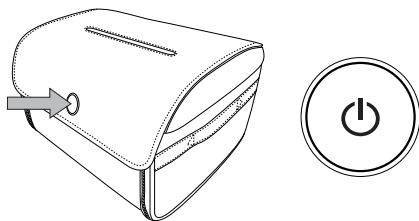
La desinfección será menos eficaz si hay un exceso de artículos o si se superponen.



4. Introducir la toma de salida micro-USB del cargador en el puerto micro-USB del esterilizador. Asegurarse de que el cargador está totalmente cargado. Para ello, comprobar que el indicador de estado está iluminado en blanco. En caso de estar rojo, hay que recargar el cargador.



5. Pulsar el "indicador luminoso/  
botón de encendido" para  
iniciar el ciclo de 5 minutos.



6. Cuando la desinfección haya concluido, el indicador luminoso se apagará automáticamente. Abrir la tapa para remover los artículos.

La unidad está lista para volver a utilizarse. Si no se utiliza, el indicador luminoso se apagará transcurridos tres minutos y la unidad entrará en modo de reposo.

Pulsar una vez para volver a poner en funcionamiento. Volver a pulsar para iniciar la desinfección.

## LIMPIEZA

El aparato no es estanco. No sumergir en agua.

Para limpiar la superficie, utilizar un paño. Eliminar toda presencia de agua para evitar que la humedad dañe los circuitos del dispositivo.

Entre usos o para su transporte, utilizar un estuche de transporte para evitar la contaminación por polvo y proteger la superficie contra la abrasión.

## INSTRUCCIONES DE LAVADO DE LA FUNDA

Limpia la superficie con un trapo limpio y húmedo. Secar al aire. No planchar. No sumergir en agua ni en cualquier otro líquido. Cualquier otra tarea de reparación o mantenimiento deberá ser realizada por un representante de servicio autorizado.

## RESOLUCIÓN DE PROBLEMAS

### 1. Si el botón de encendido no responde o el aparato no se enciende:

- (A) Comprobar el cargador portátil. Si está agotado, sustituirlo por uno nuevo.
- (B) Comprobar si el cable USB está correctamente conectado a la fuente de alimentación. Retirar el cable y volver a introducirlo en el puerto.
- (C) Si el circuito interno está dañado, devolver el aparato a Munchkin para un servicio postventa.

### 2. Si el esterilizador no finaliza el ciclo de 5 minutos:

- (A) Comprobar que el cargador USB esté totalmente cargado. Recargar el cargador si el indicador luminoso está en rojo.

## GARANTÍA LIMITADA DE UN AÑO

El esterilizador de artículos infantiles Munchkin incluye una garantía limitada de un año contra defectos a partir de la fecha de adquisición. En el supuesto de que se produzca una falla o un defecto durante el período de garantía, Munchkin, Inc. reparará o sustituirá el producto a su total discreción. Tras recibir el producto y una prueba de compra con una fecha de adquisición válida, la pieza defectuosa se reparará o sustituirá de inmediato y se devolverá al propietario sin costo alguno (solo en EE. UU.). Por favor, enviar la unidad defectuosa, la prueba de compra y una descripción del problema a:

Munchkin, Inc. 7835 Gloria Avenue  
Van Nuys, CA 91406, ESTADOS UNIDOS DE AMÉRICA  
A la atención de: Garantía del esterilizador de artículos infantiles

**NOTA:** la presente garantía no cubre el uso incorrecto, abuso, desgaste o rotura anómalos, negligencia, exposición a la intemperie, alteración o accidente. Toda alteración o eliminación del código de fecha del producto anulará toda reclamación contra la fabricación.

## ESPECIFICACIONES TÉCNICAS

- Nombre del producto: Esterilizador de artículos infantiles LED UV 59S
- Modelo: MKCL0732
- Conector de entrada: Micro-USB 2A,10W
- Potencia nominal: 3-5VCC, 2 A. Utilizar exclusivamente con el cargador recargable suministrado (PB2000)
- Dimensiones: 11 in (280 mm) x 13,9 in (350 mm) x 8 in (203 mm)
- Peso neto: 2,2 lbs, (1 kg)
- Vida útil del LED UV: 3.000 horas
- Temperatura de funcionamiento: 32~104 °F (0~40 °C)
- Temperatura de almacenamiento: -4~131°F (-20~55°C)
  
- Normas de seguridad:
- CONFORME A LA NORMA UL UL1431
- HOMOLOGADO SEGÚN LA NORMA CSA C22.2 N.º 224



- Modelo: PB2000
- Tipo de batería: batería de iones de litio
- Modelo de batería: PB2000
- Capacidad de la batería: 2.000 mAh 3,7 V/7,4 Wh
- Interfaz de entrada: Micro-USB (puerto hembra)
- Interfaz de salida: Micro-USB (toma macho)
- Potencia de entrada nominal: 5 VCC , 1 A (máx)
- Potencia nominal: 3 - 4,2 VCC, 3,5 A
- Vida útil de las baterías: la batería recargable de 2.000 mAh proporciona hasta ~45 minutos

## CONTACTO

Para resolver dudas o enviar comentarios sobre el producto, llamar al Servicio de atención al cliente al **1-800-344-2229** de lunes a jueves de 8:00 a 17:00 y viernes de 8:00 a 13:00 (hora del Pacífico) o visitar el sitio web **[www.munchkin.com](http://www.munchkin.com)**.







**munchkin.** | 59S. | **munchkin.com**   
800.344.2229

©2019 MUNCHKIN, INC. 7835 GLORIA AVE., VAN NUYS, CA 91406. MUNCHKIN BABY CANADA LTD.,  
3-8460 MOUNT PLEASANT WAY, MILTON, ON L9T 8W7. MADE IN CHINA / FABRIQUÉ EN CHINE.

MUNCHKIN IS A REGISTERED TRADEMARK OF MUNCHKIN, INC. 59S TRADEMARKS ARE OWNED BY  
SHENZHEN UVLED OPTICAL TECHNOLOGY CO.,LTD.

MANUFACTURER: SHENZHEN UVLED OPTICAL TECHNOLOGY CO., LTD. FACTORY ADDRESS: 2-4/F, BUILDING  
2A, NO.9,BANGKAI ROAD, HIGH-TECH INDUSTRIAL PARK, GUANGMING DISTRICT, SHENZHEN, CHINA

HYGIENIC LICENSE: YWXZZ(2018)-02 NO.9142

POST CODE: 518132

[HTTPS://WWW.59S.COM](https://www.59s.com)